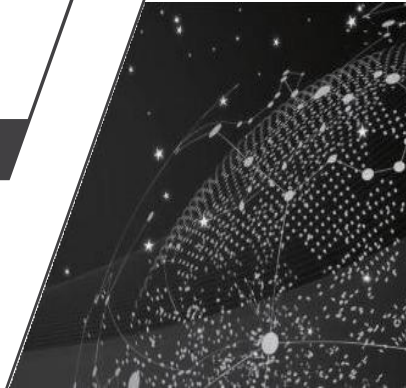


Industrial Ethernet Switch

# User manual

VT-SW5GP-GF-4GTPOE



Version:V1.0

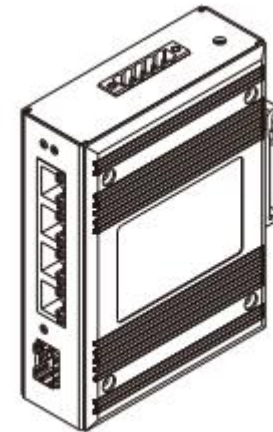
## 1 Packing list

The package of this switch contains the following items. If any item is found to be missing or damaged, please contact the agent or the customer service center of Valtoris for assistant

Items	Quantity	Remarks
Industrial Ethernet Switch	1PCS	
User Manual	1PCS	

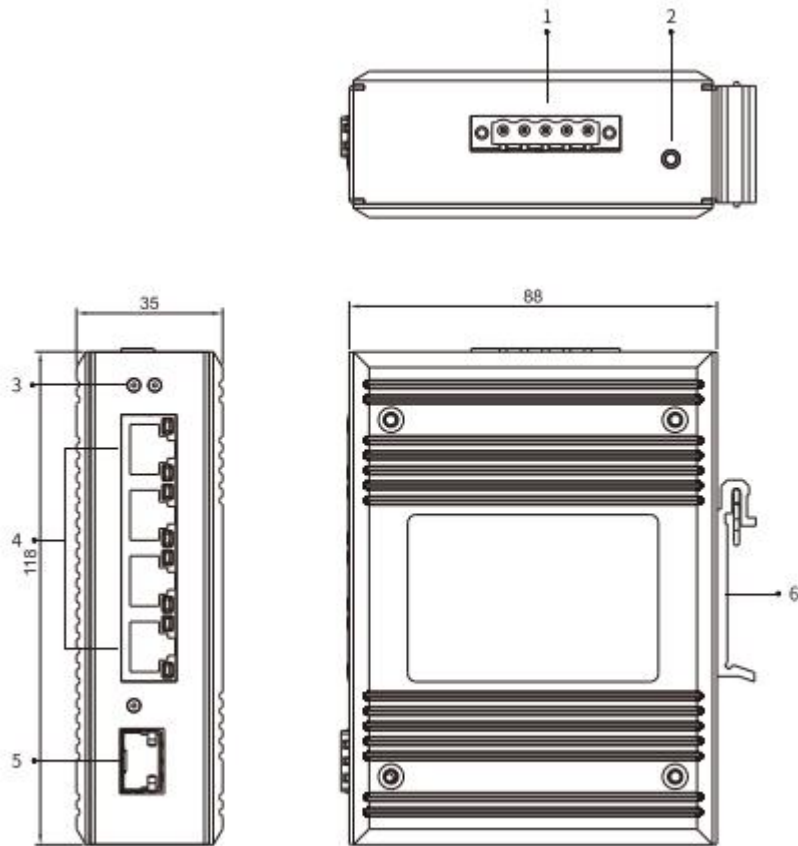
## 2 Product description

The switch is a full Gigabit unmanaged din-rail industrial Ethernet switch. VT-SW5GP-GF-4GTPOE provides 5 Gigabit Ethernet ports (1 Gigabit SFP ports and 4 Gigabit PoE ports).



### 3 Interface description

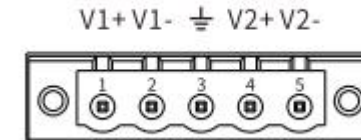
Unit:mm



1.Power input terminal	4.Gigabit SFP ports
2. Ground screw	5. Gigabit RJ45 ports
3.Indicator light	6.Din rail kit

### Connect to the Power

Using 5-position locking terminals with 5.08mm spacing. It supports dual power supply input, two power supply backup each other.



Number	Pin definition
1	Power 1 Input V1+/Positive
2	Power 1 Input V1-/Negative
3	Grounded
4	Power 2 Input V2+/Positive
5	Power 2 Input V2-/Negative

The indicator description of the switch is shown in the following table.

Indicator lights	Status	Definition
<b>System status LED</b>		
P1/P2	On	Power is connected and operating normally
	Off	The power is unconnected or the system is abnormal
<b>Fiber Status LED</b>		
L/A	On	The port has established a valid network connection
	Blinking	The port has network activity
	Off	The port has not established a valid network connection
<b>Ethernet RJ45 Status LED</b>		
Each Ethernet RJ45 port has two indicator lights, the yellow light is the POE port rate indicator, and the green is the port		
PoE (Yellow)	On	PoE port is powered normally
	Off	PoE port is powered abnormally
LINK/ACT (Green)	On	The port has established a valid network connection
	Blinking	The port has network activity
	Off	The port has not established a valid network connection

## 4 Hardware installation

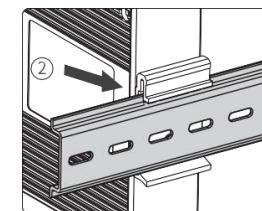
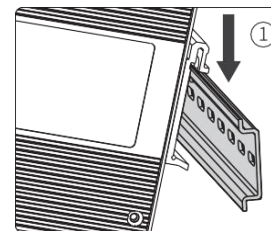
### ⓘ Installation Precautions

To prevent equipment damage or personal injury caused by improper use, observe the following precautions:

- During the installation process, you need to wear anti-static gloves or anti-static gloves, and power-off the switch.
- Please make sure that the input voltage is within the input voltage range marked on the switch.
- The transmission distance has a certain relationship with the connected wire. It is recommended to use a standard Cat5e/6 network cable.
- The equipment must be grounded for lightning protection, otherwise the protection level of the equipment will be greatly reduced; please use a wire of No. 20 or more to connect the grounding terminal to the ground.
- The power line, ground line and signal line are laid out separately and the distance is not less than 5cm.

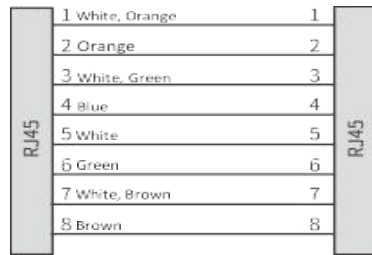
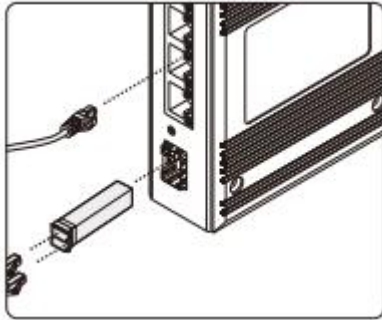
### Device installation

- Tilt the switch upwards so that the upper end of the buckle is fastened to the upper end of the DIN rail.
- The lower end of the back buckle is buckled into the DIN rail.

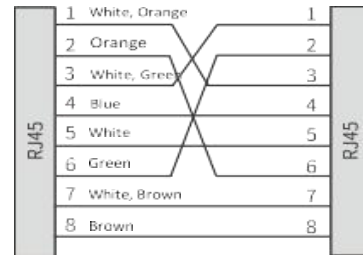


## Device connection

Connect the optical fiber and network cable to the port in the correct



Category 5 direct connection



Category 5 crossover connection

## Power input

Before connecting the power cord, make sure that the ground is connected. Do not connect the power cord to the power terminal of the device according to the definition.

### Attention:

1. Power-on operation: First connect the power cord to the power terminal of the device according to the definition shown in the figure above, and then power on.

2. Power-off operation: first unplug the power plug, and then remove the power cord.

## 5 Specifications

VT-SW5GP-GF-4GTPOE	
Switch performance	
Bandwidth	14G
Cache size	2Mbit
MAC table size	2K
Interface	
Gigabit SFP port	2x1000Base-X SFP slot
Gigabit PoE port	4*10/100/1000MBase-TX RJ45 ports Full duplex/half duplex self-adaptation, support MDI/MDI-X self-adaptation, each port<=30W
Power	
Power consumption	3W@48V (Max)
DC input	DC48~52V
Mechanical	
Size	118mm×35mm×88mm(H×W×D)(Excluding DIN rail)
Installation method	35mm standard DIN rail installation
Heat dissipation form	Aluminum alloy single-rib chassis surface heat dissipation, fanless
IP protection	IP40
Weight	About 0.5kg
Working environment	
Operating temp.	-40 ~ +75℃

Storage temp.	-40 ~ +85℃
Humidity	5 ~ 95% (No condensation)
Industry standard	
EMC	IEC61000-4-2(ESD), Level4 IEC61000-4-5(Surge), Level4 IEC61000-4-4(EFT), Level4 ※The network port supports 4KV lightning protection

## 6 Order guide

Model	Gigabit SFP	Gigabit PoE port	Power supply
VT-SW5GP-GF-4GTPOE	1	4	DC48~52V

## 7 Pledge

Thank you for purchasing Valtoris products. You will enjoy the following services when using Valtoris products.

We solemnly promises: under normal use, a one-month return policy, one-year free maintenance, a five-year warranty, and lifetime maintenance. The specific details are as follows:

- If Valtoris products have quality problems and cannot work normally, you are entitled to a refund within one month, free maintenance for one year, a five-year warranty, and lifetime maintenance.
- For repairs, if the number of products is less than 10, the repair service will be completed within 7 days (excluding transportation time). For more than 10 products, the repair service will be completed within one month.
- Optical passive products such as optical fibers, optical cables, jumpers (short, pre-terminated fiber optic cables), flanges (connectors), and optical cable

terminal boxes are guaranteed for two years, but we do not offer a return service for these items.

- The accessories and power supply that come with the product are guaranteed for one year.
- When sending the product back to Valtoris for repair, we recommend using the original packaging or equivalent protective packaging to avoid risks during transportation. If you choose not to do so, you will be responsible for any damages that occur.
- Repaired products are covered by an additional six-month warranty service.

SHANGHAI VALTORIS TECHNOLOGY CO.,LTD.

Add: 1088 Fanghe Road, Minhang District, Shanghai, China

Post Code: 201109

Site: [www.valtoris.com](http://www.valtoris.com)

### Statement

Due to the continuous updating and improvement of products and technologies, the contents of this manual will be updated from time to time. All the information in the manual is only used for instructions, if the content in the text does not completely match the actual product, please understand and please contact our customer service in time.

Copyright 2026 Valtoris Technology All rights reserved.

The right to interpret the information published in this material belongs to SHANGHAI VALTORIS Technology Co., Ltd.